

# VOLVO PENTA INBOARD DIESEL

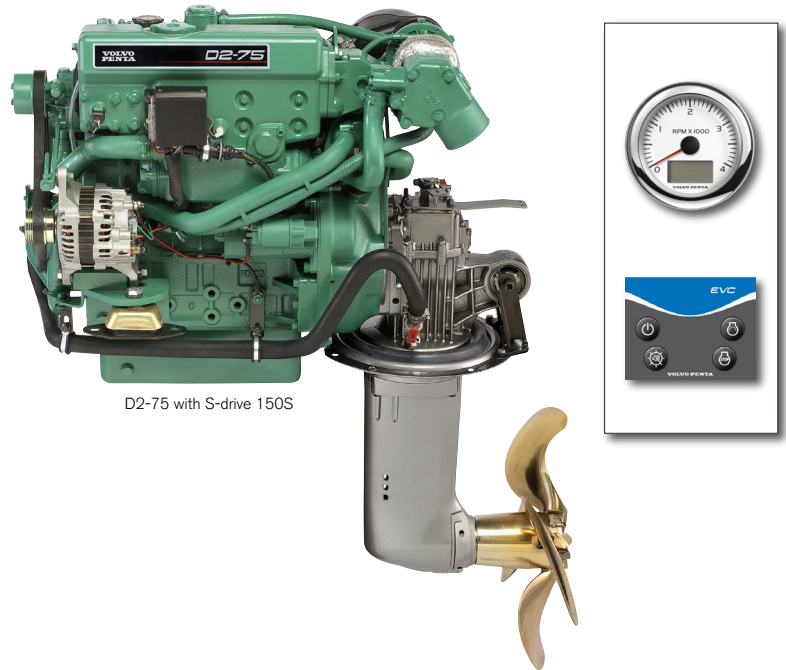
# D2-75

55 kW (75 hp) crankshaft power acc. to ISO 8665

Now with  
EVC instruments!

## D2-75 - a new standard for yacht comfort

The Volvo Penta D2-75 marine diesel delivers 75 hp with exceptional comfort. Low cruising rpm gives quiet running and low vibrations, and exhaust emissions are extremely low. Compact size means easy installation, and the 115 A alternator with a built-in charging sensor provides rapid charging for onboard electrical needs. Setting a new standard for yacht comfort.



D2-75 with S-drive 150S

The D2-75 is a marine engine of advanced design manufactured from quality components and designed to fulfil customer requirements.

### Service Life

The D2-75 is fitted with freshwater cooling as standard. This reduces internal corrosion and enables the engine to maintain a consistent and optimal working temperature under all conditions.

To avoid galvanic corrosion the engine is equipped with the unique electrical isolation between engine and S-drive.

### Comfort

Smooth running with very low vibration levels results from a dynamically balanced design incorporating a flywheel of high rotating mass and high efficiency rubber isolation.

The engine's high torque provides excellent operating characteristics to aid maneuvering, particularly in confined spaces.

Additional on board comfort features are available from an extensive range of matched accessories.

### Turbocharging

Turbocharged with an exhaust-driven turbocompressor.

The turbo is controlled by a wastegate valve and gives a considerably higher torque at low engine speed.

The turbo also acts as an additional silencer both on the induction side and on the exhaust side.

### Aftercooler

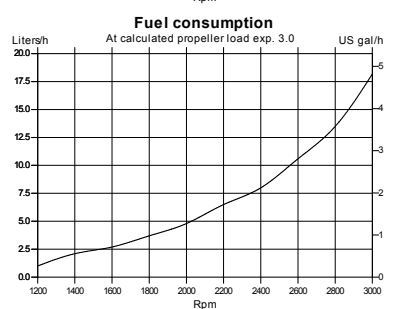
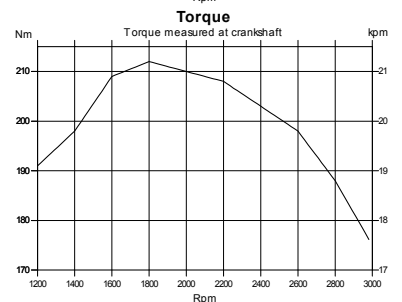
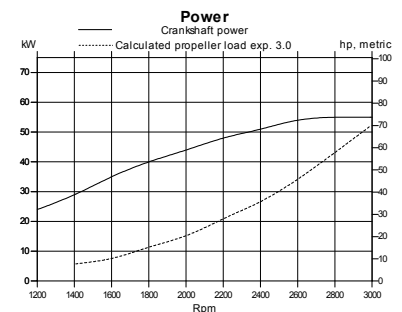
The aftercooler cools the compressed and heated air and raises its oxygen content so that the engine can use the fuel more efficiently.

### Environment

An advanced combustion system increases fuel burning efficiency to minimize noxious exhaust emissions and enhance overall enjoyment of boating. The D2-75 is certified according to BSO, SAV, EU RCD and US EPA.

### Transmissions

Eight matched transmission options are available, each built for durability and smooth running.



**VOLVO  
PENTA**

# D2-75

## Technical description:

### Engine block and head

- Cylinder block and cylinder head manufactured from high grade cast iron. Crankcase features a rigid tunnel block design.
- Chrome molybdenum forged crankshaft, statically and dynamically balanced with integral counterweights. Pistons are cast from high silicon aluminum, are heat treated and fitted with two cast iron, chromium faced compression rings and a single oil ring.
- Replaceable, hardened valve seats
- Elastic coupling on flywheel

### Engine mounting

- Tuned front and rear cushion-type rubber mounts. Adjustable.

### Lubrication system

- Spin-on fullflow oil filter
- Separate oil scavenger pipe
- Closed circuit crankcase ventilation

### Fuel system

- Flange mounted, cam driven in-line injection pump
- Feed pump with hand primer
- Spin-on type fine fuel filter

### Air inlet and exhaust system

- Freshwater cooled exhaust manifold and seawater cooled exhaust elbow

- Turbocharged with wastegate

### Cooling system

- Freshwater cooling system governed by thermostat
- Tubular heat exchanger with integral expansion tank
- Coolant system prepared for hot water outlet fittings
- Easily accessible sea water pump and impeller
- Hot water outlet (option)

### Electrical system

- 12V corrosion-protected electrical system
- 115A marine alternator
- 24V alternator as option
- Charging regulator with electronic sensor for voltage drop compensation
- Glow plugs for excellent cold starting
- Electric starter motor (2.0 kW output)
- Electrical stop
- Extension cable harness with plug-in connection available in various lengths

### EVIC instruments

- Start/stop panel
- Tachometer with alarms and engine hour counter

### Options:

- Separate instruments for:
  - Fuel level
  - Temperature
  - Voltage
- LCD display with multisensor
- NMEA interface presenting engine data on chart plotters

### Choice of transmissions:

- HS25A Hydraulic** – drop center with 8° down angled output shaft. Trolling valve kit available.
  - Ratio 2,29:1/2,29:1 (RH/LH) and 2,71:1/2,71:1 (RH/LH).
- MS25A Mechanical** – drop center with 8° down angled output shaft.
  - Ratio 2.23:1/2.74:1 (RH/LH) and 2.74:1/2.74:1 (RH/LH).
- MS25L Mechanical** – drop center with straight output shaft.
  - Ratio 2.27:1/2.10:1 (RH/LH) and 2.74:1/2.72:1 (RH/LH).
- S-drive 150S.** The S-drive can be mounted with reverse installation of the engine. Ratio 2.19:1. The drive is also available in an SR version. See Sales Guide.

### Accessories

- Engine controls and steering systems
- Extra alternator kits
- Battery and battery switches
- Hot water systems
- Separate expansion tanks
- Cooling water seacocks, strainers and hoses
- Exhaust systems and hull fittings
- Fuel systems including filters, pipes etc.
- Pulleys and universal brackets for power take-off (PTO)
- Propeller shaft systems and propellers
- Chemical products – paints, oils, cleaners etc.

## Technical Data

Engine designation . . . . .	<b>D2-75</b>
Crankshaft power, kW (hp) . . . . .	55 (75)
Propeller shaft power, kW (hp) . . . . .	53 (72)
Engine speed, rpm . . . . .	2700–3000
Displacement, l (in <sup>3</sup> ) . . . . .	2.2 (134.2)
Number of cylinders . . . . .	4
Bore/stroke, mm (in.) . . . . .	84/100 (3.31/3.94)
Compression ratio . . . . .	23.3:1
Dry weight with reverse gear HS25A/MS25, kg (lb) . . . . .	264/258 (582/569)
Dry weight with sail drive 150S, kg (lb) . . . . .	264 (582)

Duty rating: R5

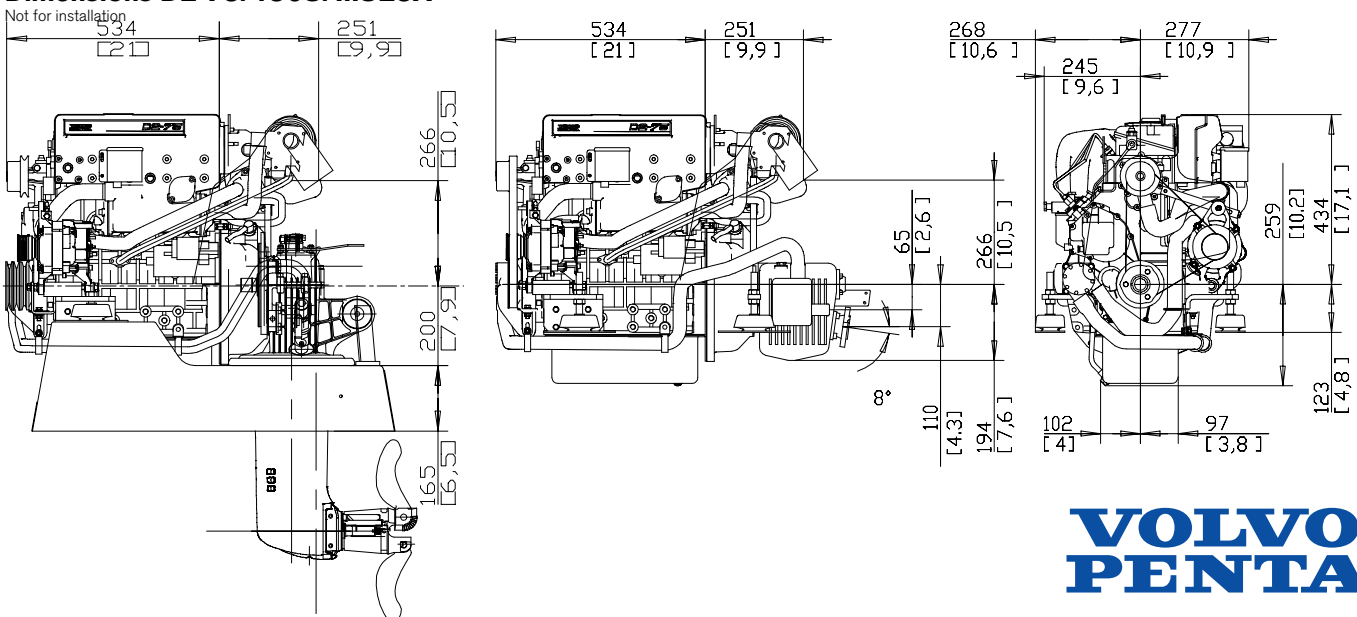
Technical data according to ISO 8665. With fuel having an LVH of 42,700 kJ/kg and density of 840 g/liter at 15°C (60°F). Merchant fuel may differ from this specification which will influence engine power output and fuel consumption. The engine is certified according to BSO, SAV, EU RCD and US EPA.

Contact your local Volvo Penta dealer for further information.

Not all models, standard equipment and accessories are available in all countries. All specifications are subject to change without notice.

The engine illustrated may not be entirely identical to production standard engines.

## Dimensions D2-75/150S/MS25A



**AB Volvo Penta**  
SE-405 08 Göteborg, Sweden  
www.volvopenta.com